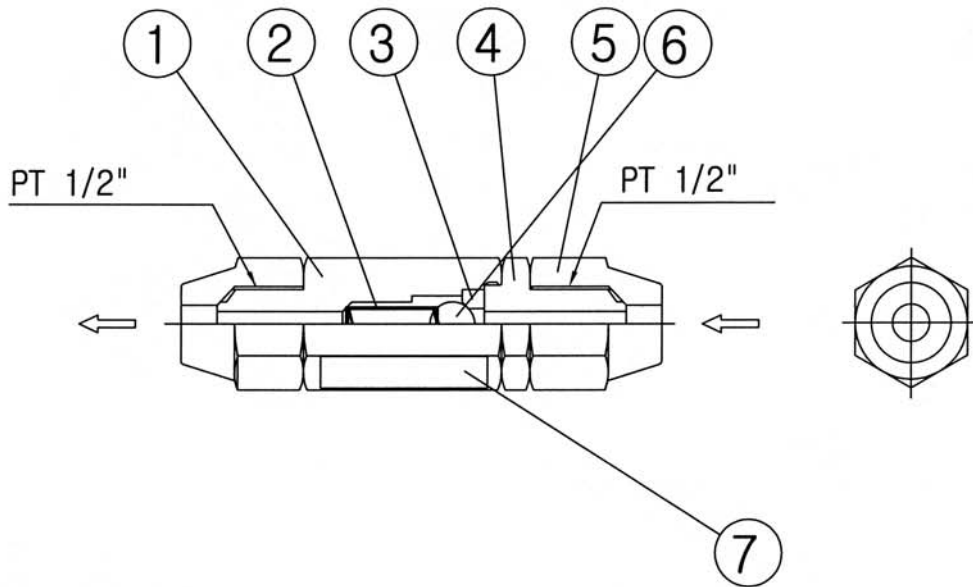


CHECK VALVE

FTCV-6



사 양

- 1. 중 량 : 0.15 kg
- 2. 파단압력 : 34.5 MPa
- 3. 내 압 : 17.2 MPa

7	NAME PLAT		1	
6	BALL	STS 304	1	
5	SLIP NUT	C3771BE	2	
4	NIPPLE	C3771BE	1	
3	BALL SEAT	N B R	1	
2	SPRING	STS 304	1	
1	BODY	C3771BE	1	
NO	DESCRIPTION	MATERIAL	QTY	REMARKS