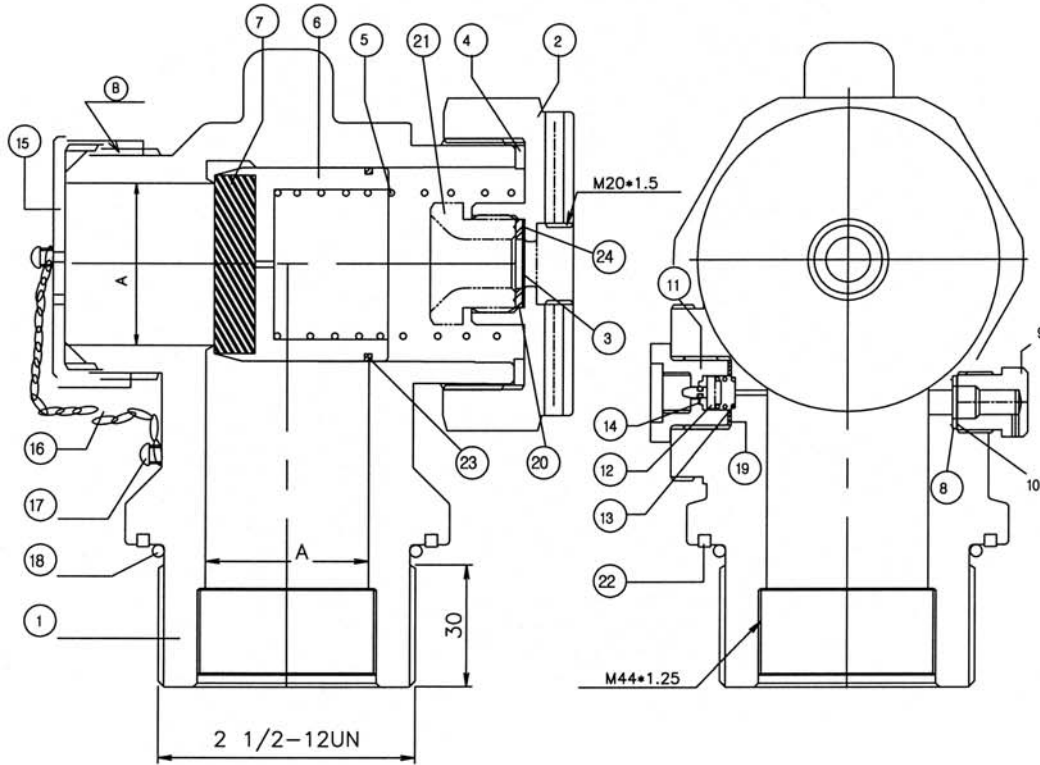


F-TYPE VALVE

FTV-32, 40



TEST PRESSURE

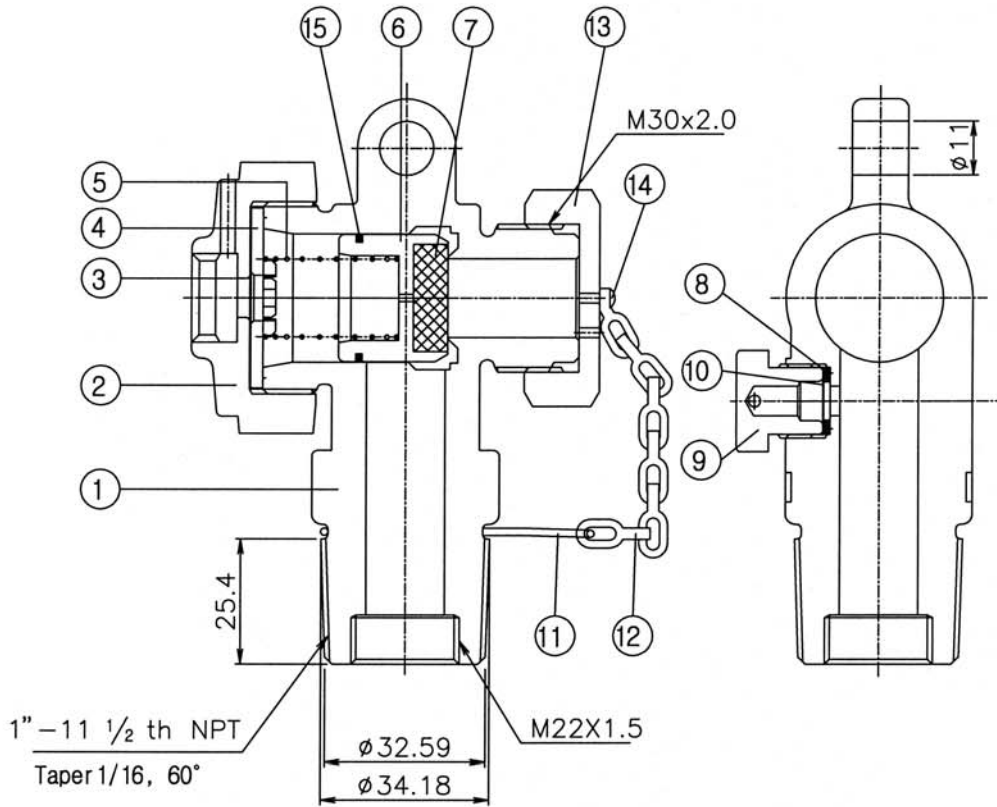
- 1. HYDROSTATIC TEST PRESSURE : 11.8MPa
- 2. GAS-LEAKAGE TEST PRESSURE : 7.1MPa
- 3. SAFETY DISCBURST PRESSURE : 7.8 - 9.4MPa

|     | Ⓐ    | Ⓑ 나사규격(충전구나사) |
|-----|------|---------------|
| 32A | φ 32 | 1 7/8-12UN    |
| 40A | φ 40 | 2 1/4-12UN    |

|    |              |         |      |           |    |              |         |      |           |
|----|--------------|---------|------|-----------|----|--------------|---------|------|-----------|
| 12 | CHECK VALVE  | C3604BD | 1    |           | 24 | PACKING      | NYLON   | 1    |           |
| 11 | CHECK NUT    | C3604BD | 1    | NI Coated | 23 | BACK UP RING | NYLON   | 1    |           |
| 10 | SAFETY PLATE | C1201P  | 1    | Cr Coated | 22 | PACKING RING | TEFLON  | 1    |           |
| 9  | SAFETY NUT   | C3771BE | 1    | NI Coated | 21 | PACKING BOLT | C3604BD | 1    |           |
| 8  | PACKING      | NYLON   | 1    |           | 20 | PACKING      | NYLON   | 1    |           |
| 7  | SEAT         | NYLON   | 1    |           | 19 | PACKING      | NYLON   | 1    |           |
| 6  | OSCILLATOR   | C3604BD | 1    | NI Coated | 18 | O-RING       | CR      | 1    |           |
| 5  | SPRING       | STS304  | 1    |           | 17 | BIS          | STEEL   | 2    |           |
| 4  | PACKING      | NYLON   | 1    |           | 16 | CHAIN        | STS     | 1    |           |
| 3  | MOVING PLATE | C1201P  | 1    | Cr Coated | 15 | CAP NUT      | C3604BD | 1    | NI Coated |
| 2  | DRAIN NUT    | C3604BD | 1    | NI Coated | 14 | O-RING       | CR      | 1    |           |
| 1  | BODY         | C3771BE | 1    | Cr Coated | 13 | SPRING       | STS304  | 1    |           |
| NO | DESCRIPTION  | MAT'L   | Q'TL | REMARK    | NO | DESCRIPTION  | MAT'L   | Q'TL | REMARK    |

F-TYPE VALVE

FTV-15



TEST PRESSURE

BODY TEST PRESSURE : 24.5MPa

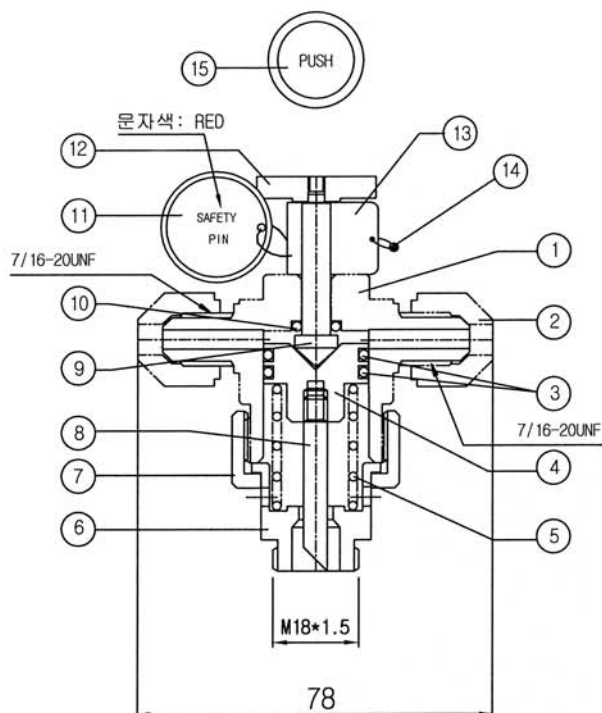
AIRTIGHT TEST PRESSURE : 14.7MPa

SAFETY WORKING PRESSURE : 17.7~24.5MPa

|         |              |           |      |        |
|---------|--------------|-----------|------|--------|
| 15      | BACK UP RING | 아세탈       | 1    |        |
| 14      | BIS          | STAINLESS | 1    |        |
| 13      | CAP NUT      | C3604BD   | 1    |        |
| 12      | CHAIN        | STS304    | 1    |        |
| 11      | RING         | STS304    | 1    |        |
| 10      | SAFETY PLATE | 니켈동판      | 1    |        |
| 9       | SAFETY NUT   | C3771BE   | 1    |        |
| 8       | PACKING      | 아세탈       | 1    |        |
| 7       | SEAT         | 66NYLON   | 1    |        |
| 6       | OSCILLATOR   | C3604BD   | 1    |        |
| 5       | SPRING       | STS304    | 1    |        |
| 4       | PACKING      | 66NYLON   | 1    |        |
| 3       | MOVING PLATE | C1100P    | 1    |        |
| 2       | DRAIN NUT    | C3604BD   | 1    |        |
| 1       | BODY         | C3771BE   | 1    |        |
| PART NO | DESCRIPTION  | MATERIAL  | Q'TY | REMARK |

NEEDLE VALVE

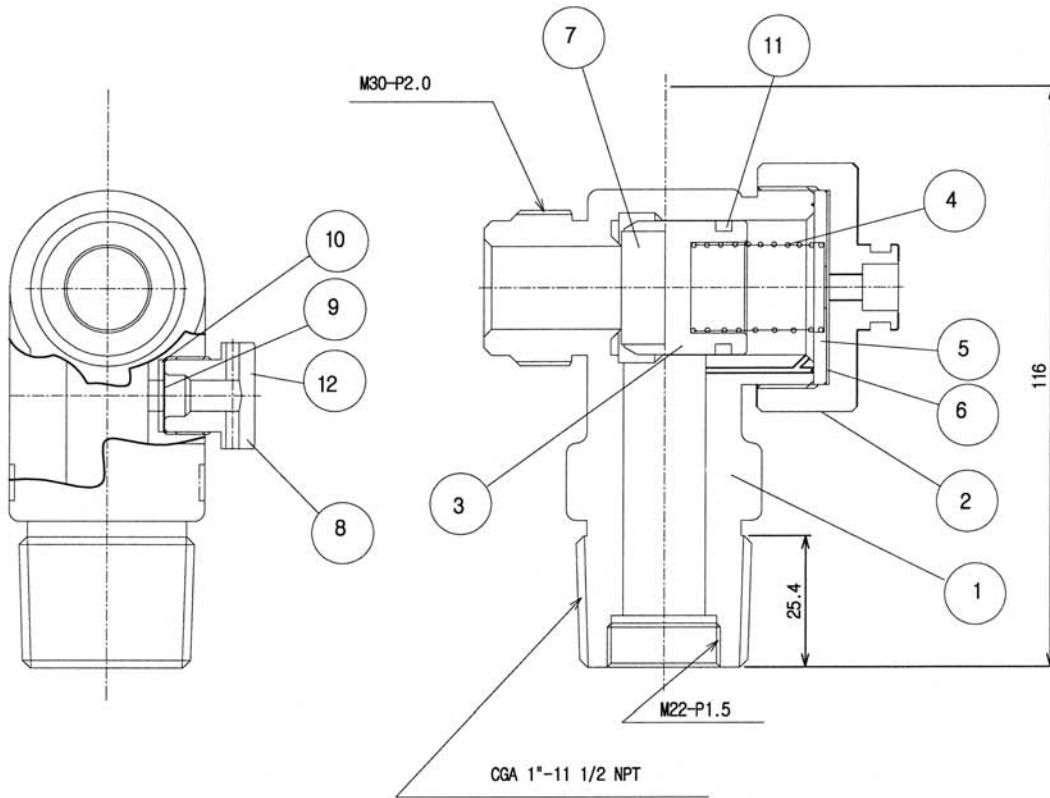
FTV-15



|    |                  |          |     |            |
|----|------------------|----------|-----|------------|
| 15 | STICKER          | AL       | 1   |            |
| 14 | SEAL             | Pb       | 1   |            |
| 13 | SNAP             | STS304   | 1   |            |
| 12 | PUSH BUTTON      | C3604BD  | 1   |            |
| 11 | SAFETY PIN ASS'Y | AL +STS  | 1   |            |
| 10 | O-RING           | N. B. R  | 1   | P6         |
| 9  | PUSH LOAD        | C3604BD  | 1   |            |
| 8  | RIP TUBE         | STS304   | 1   |            |
| 7  | CAP NUT          | C3604BD  | 1   |            |
| 6  | CAP              | C3604BD  | 1   |            |
| 5  | SPRING           | STS304   | 1   |            |
| 4  | RAM              | C3604BD  | 1   |            |
| 3  | O-RING           | N. B. R  | 2   |            |
| 2  | NUT              | C3604BD  | 2   | 7/16-20UNF |
| 1  | BODY             | C3771BE  | 1   |            |
| NO | DESCRIPTION      | MATERIAL | QTY | REMARKS    |

F-TYPE VALVE

FTV-15



TEST PRESSURE

HYDROSTATIC TEST PRESSURE : 24.5MPa

AIR LEAKAGE TEST PRESSURE : 14.7MPa

SAFETY DISC MARKING PRESSURE : 17.7-24.5MPa

|     |                |          |      |        |
|-----|----------------|----------|------|--------|
| 11  | BACK-UP RING   | ACETAL   | 1    |        |
| 10  | SAFETY PACKING | ACETAL   | 1    |        |
| 9   | SAFETY DISC    | C1201P   | 1    |        |
| 8   | SAFETY NUT     | C3604BE  | 1    |        |
| 7   | PACKING        | NYLON    | 1    |        |
| 6   | RUPTURE DISC   | C1201P   | 1    |        |
| 5   | PACKING        | NYLON    | 1    |        |
| 4   | SPRING         | STS304   | 1    |        |
| 3   | OSCILLATOR     | C3604BE  | 1    |        |
| 2   | DRAIN NUT      | C3771BE  | 1    |        |
| 1   | BODY           | C3771BE  | 1    |        |
| NO. | PART NAME      | MATERIAL | Q'TY | REMARK |