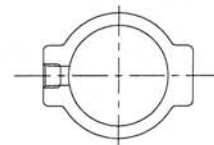
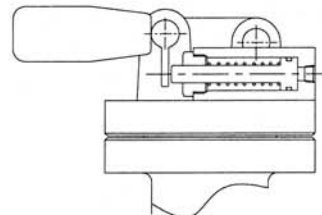
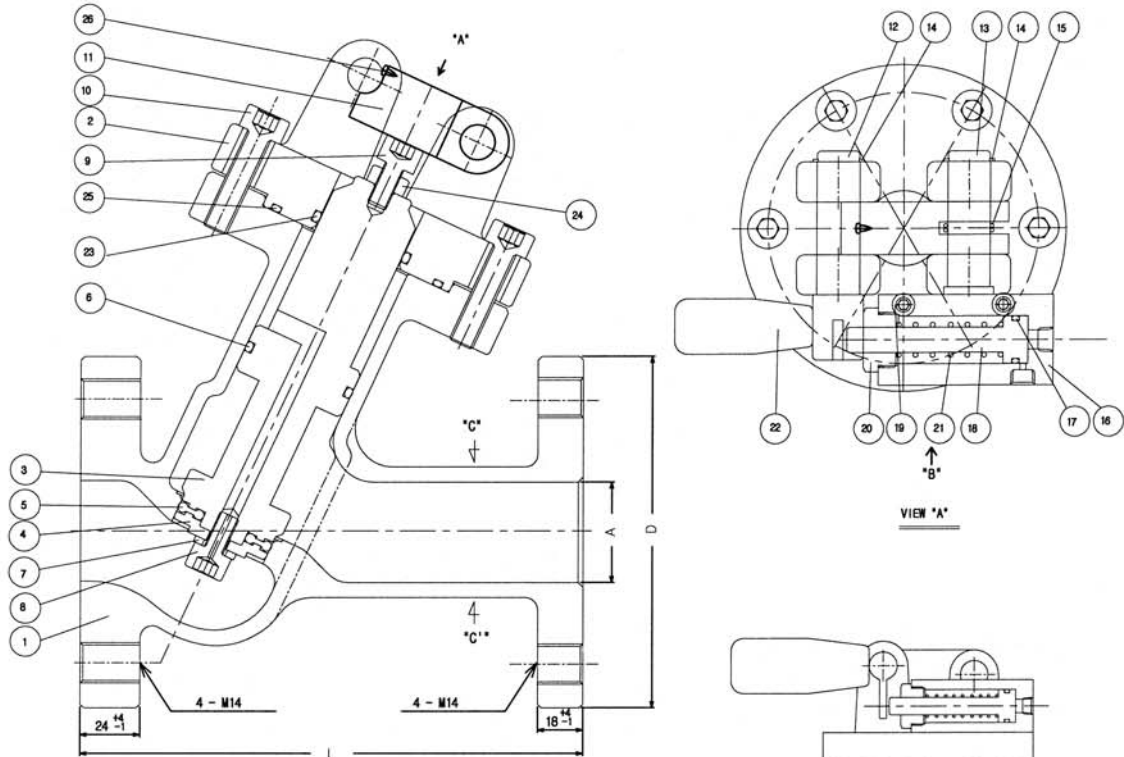


SELECTION VALVE

FTS-25 ~ 150



관경 A	MODEL. NO	플렌지지름 D	면간거리(± 3) L	높이(± 3) D
150A	FTS-150	305	415	550
125A	FTS-125	270	372	488
100A	FTS-100	225	326	434
80A	FTS-80	200	284	390
65A	FTS-65	175	257	347
50A	FTS-50	155	215	290
40A	FTS-40	140	200	270
32A	FTS-32	135	180	260
25A	FTS-25	125	170	244

13	HINGE PIN	STS303	1		26	SCREW	STS302	1	
12	LOCK PIN	STS303	1		25	PACKING	NBR	1	
11	LOCK BAR	C3604BD	1		24	LOCK NUT	NBR	1	
10	BONNET BOLT	STEEL	1		23	BONNET O-RING	NBR	1	
9	CONTROL BOLT	STEEL	1		22	LEVER	PLASTIC	1	
8	STEM BOLT	STEEL	1		21	PISTON SPRING	STS304	1	
7	SPRING WASHER	STEEL	1		20	GLAND NUT	C3604BD	1	
6	STEM O-RING	NBR	1		19	CYLINDER BOLT	STEEL	2	
5	MAIN O-RING	NBR	1		18	PISTON	C3604BD	1	
4	DISC	C3604BD	1		17	PISTON O-RING	NBR	1	
3	STEM	C3604BD	1		16	CYLINDER	C3604BD	1	
2	BONNET	SSC13A	1		15	SPRING	STS304	1	
1	BODY	SSC13A	1		14	C TYPE STOP RING	STEEL	2	
NO.	PART NAME	MATERIAL	Q'TY	REMARK	NO.	PART NAME	MATERIAL	Q'TY	REMARK